

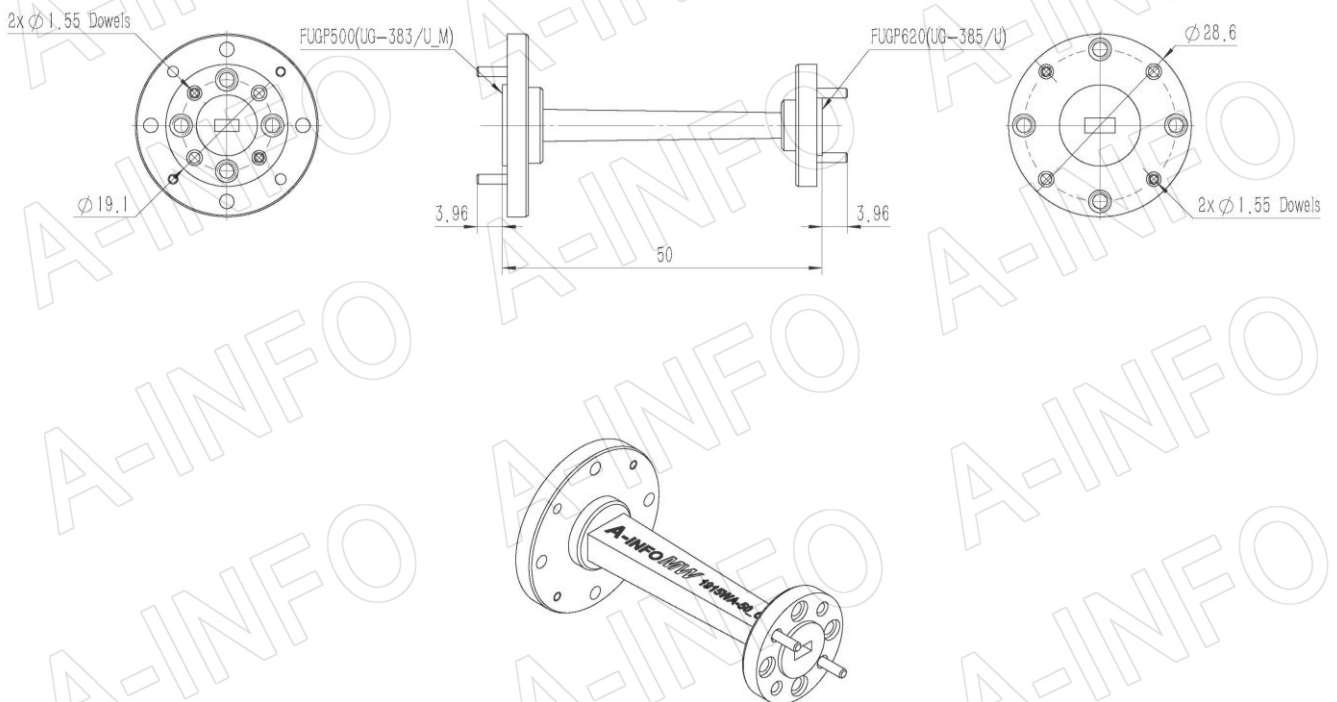
For reference only. See data sheet for the detailed specifications.

## Technical Specification

EIA WR to WR	WR19 to WR15
Frequency Range(GHz)	50.0 – 60.0
Length(mm/inch)	50/2
Insertion Loss(dB)	0.1 Max.
VSWR	1.10:1 Max.
WR19 Flange	FUGP500(UG-383/U-M)
WR15 Flange	FUGP620(UG-385/U)
Material	Cu
Size(mm)	50 x 28.6 x 28.6
Net Weight(Kg)	0.04 Around



## Outline Drawing (Size: mm)



**AINFO Inc.**

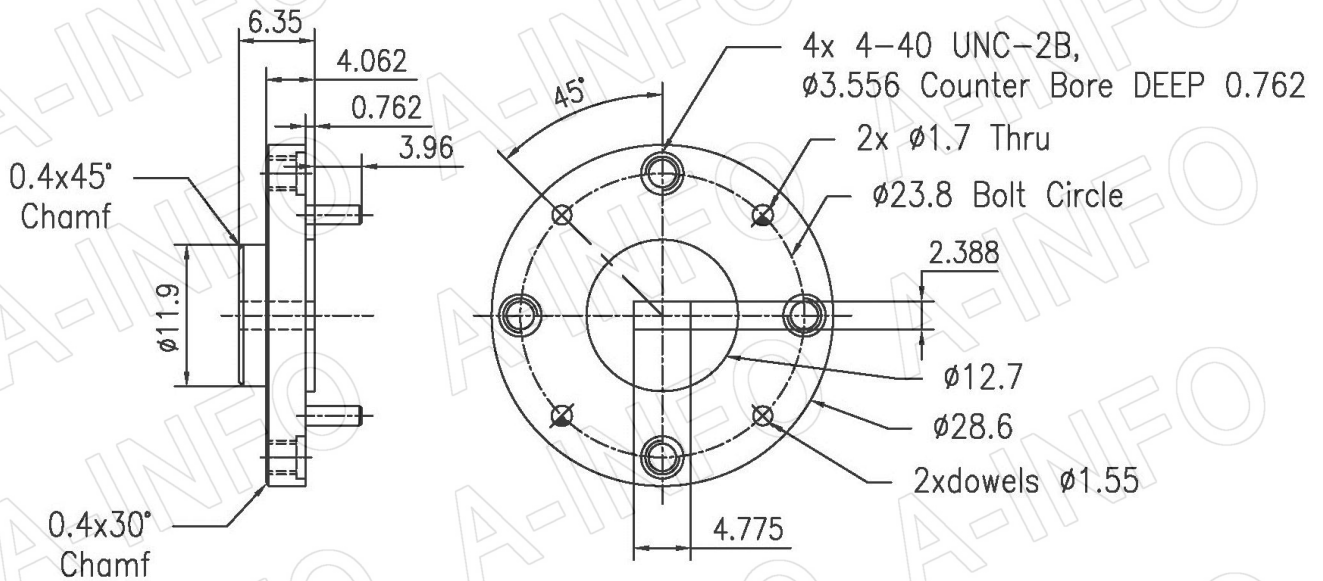
China(Beijing): Tel: (+86) 10-6266-7326,  
China(Chengdu): Tel: (+86) 28-8519-2786,  
USA : Tel: (+1) 949-639-9688,

Page 1 of 3

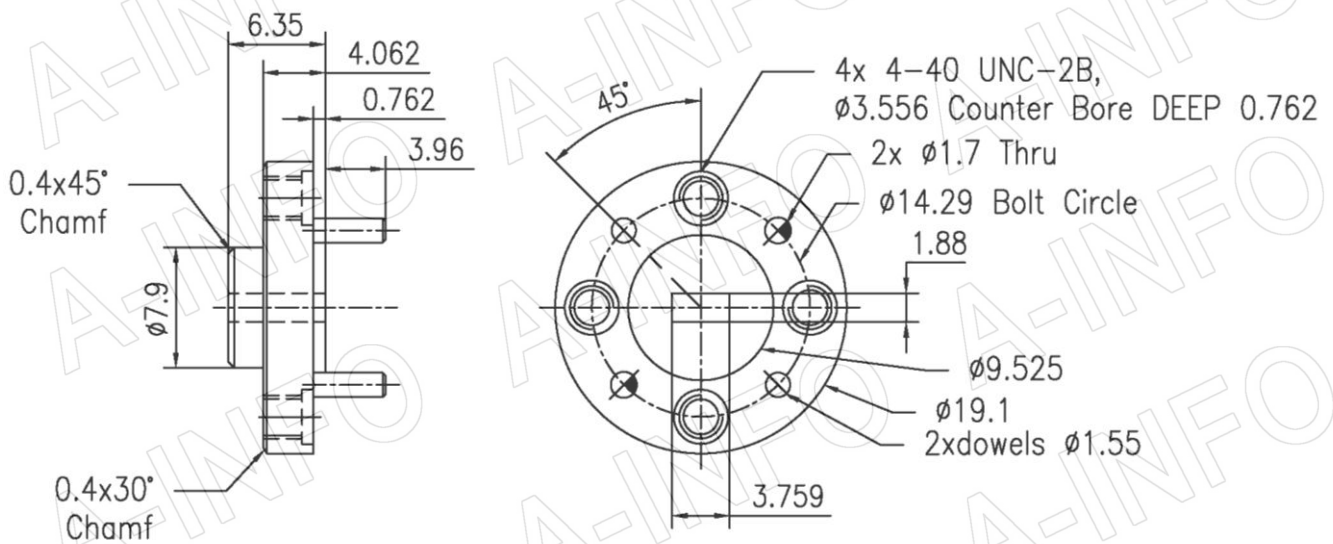
(+86) 10-6266-7327 Fax: (+86) 10-6266-7379  
(+86) 28-8519-3044 Fax: (+86) 28-8519-3068  
(+1) 949-639-9608 Fax: (+1) 949-639-9670

Website: [www.ainfoinc.com](http://www.ainfoinc.com)  
Email: [sales@ainfoinc.com](mailto:sales@ainfoinc.com)

## Flange Outline Drawing (Size: mm)



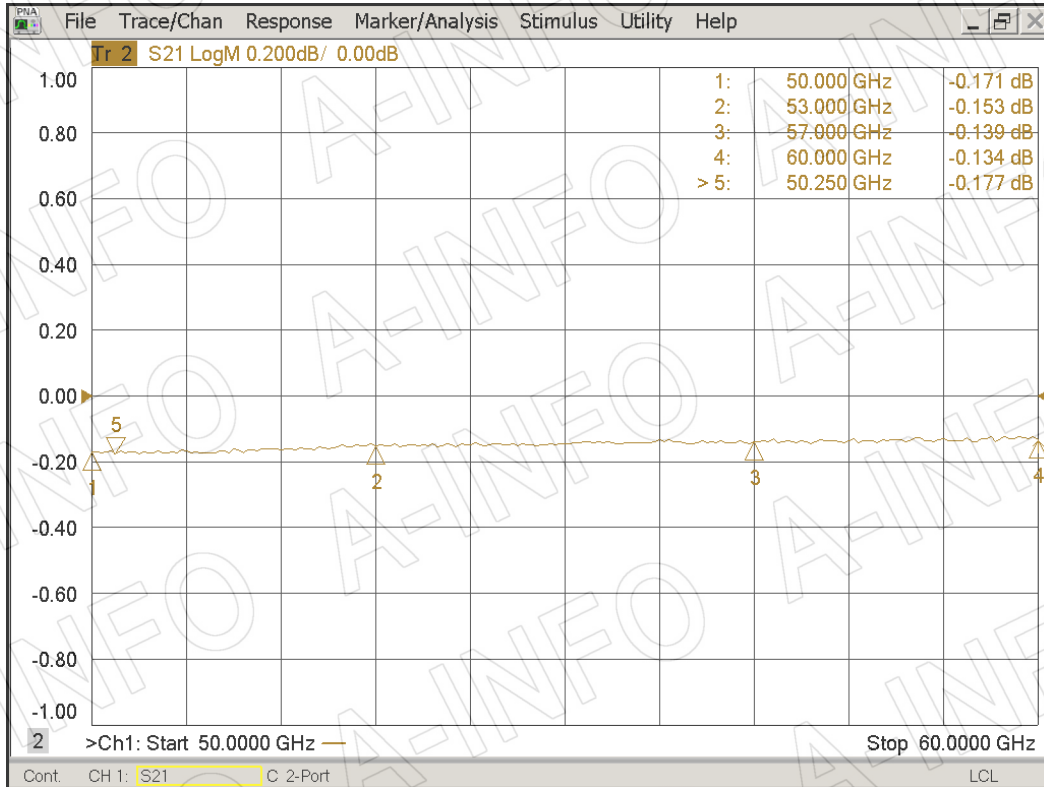
FUGP500  
(equivalent to UG-383/U-M)



FUGP620  
(equivalent to UG-385/U)

## Test Results

I.L. (Test with two transitions back to back)



## VSWR

